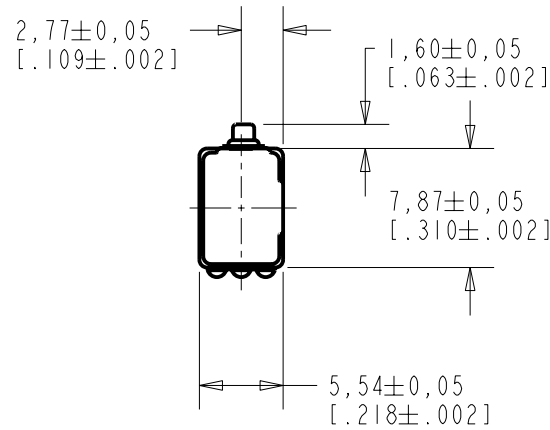

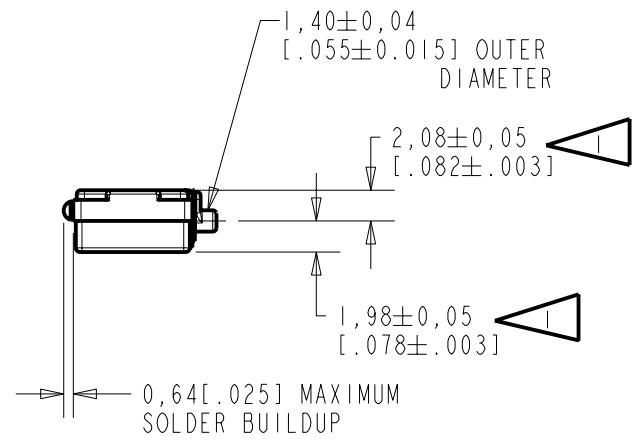
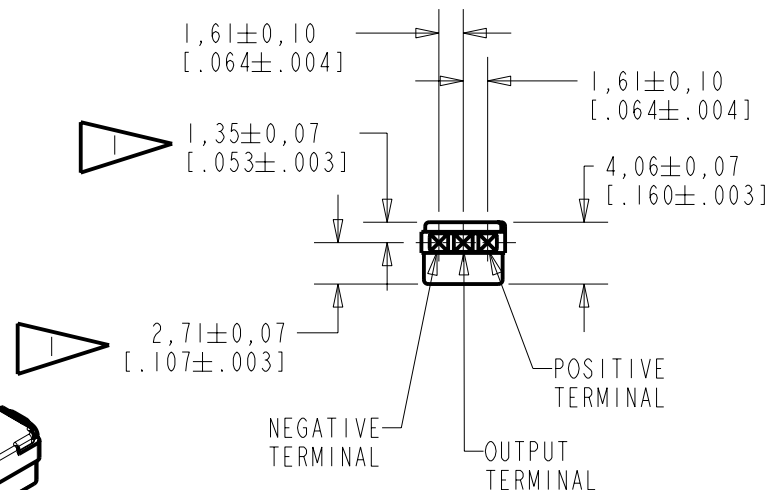


BL-21671-140
SHT 1.1



NOTES:
 LOCATED FROM TWO SURFACES FOR CUSTOMER CONVENIENCE. ONLY APPLICABLE FROM ONE SURFACE, NOT TO BE USED TOGETHER. HORIZONTAL LOCATION FOR TERMINAL CENTERED TO ±0,17 [.007].



NOMINAL WEIGHT
28.0 GRAMS

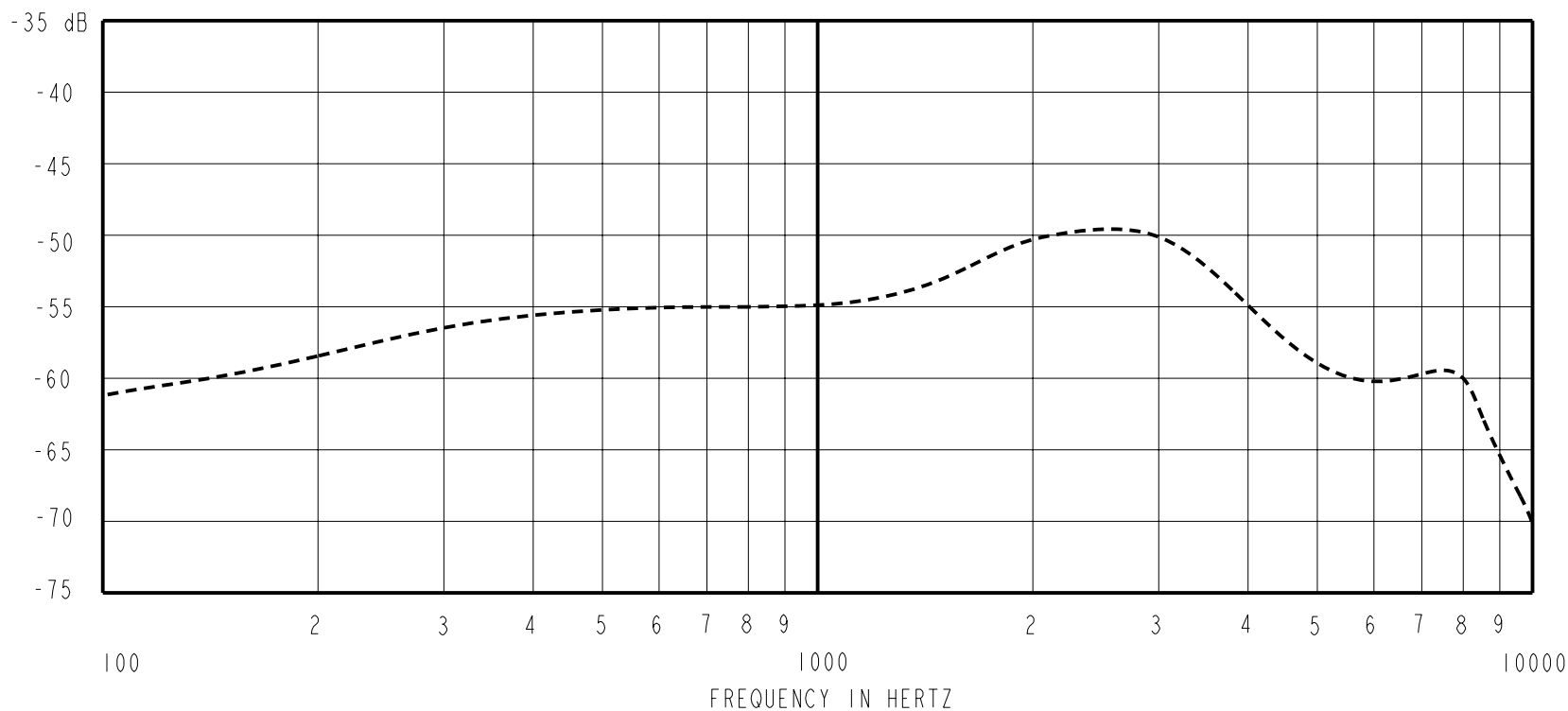
DIMENSIONS IN MILLIMETERS [INCHES]

Revision	C.O. #	Implementation Date	RELEASE LEVEL	REVISION
A	MI0101533	7-24-07	Released	A

KNOWLES ELECTRONICS
ITASCA, ILLINOIS U.S.A.

SCALE:	2:1		DR. BY	DATE
DO NOT SCALE DRAWING			SDZ	7-24-07
TITLE:	MICROPHONE	BL-21671-140	CK. BY	DATE
OUTLINE DRAWING		SHT 1.1	GJP	7-26-07
			APP. BY	DATE
			GJP	7-26-07

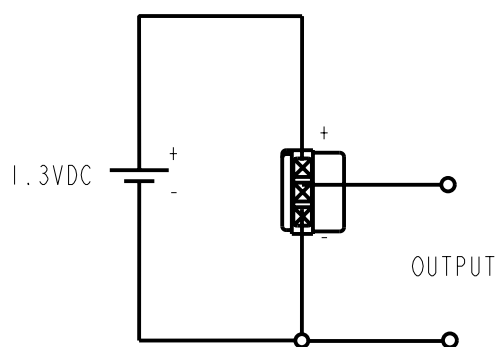
SENSITIVITY IN dB RELATIVE TO 1.0 VOLT/0.1 Pa (N/M²)
FOR CONDITIONS SHOWN BELOW.



FREQUENCY	SENSITIVITY			DEVICE CONFORMITY	
	MIN.	NOM.	MAX.	RANGE OF DEVIATION FROM 1KHz	
100	---	-61.5	---	-10.5	-4.5
1000	-57.5	-54.5	-51.5	0.0	0.0
≈ 2500	---	-49.5	---	+2.5	+7.5

NOTES: 1. CASE CONNECTED TO NEGATIVE TERMINAL.

PORT LOCATION	DC SUPPLY	AMPLIFIER CURRENT DRAIN	SENSITIVITY CHANGE ON REDUCING SUPPLY TO 1.1 VDC	"A" WEIGHTED NOISE (1 kHz EQUIV. SPL)	OUTPUT IMPEDANCE OHMS			CAPACITANCE ±50%	
					MIN.	NOM.	MAX.	1-2	1-3
12S	1.3V	50 μA MAX.	3 dB MAX.	32.0 dB MAX.	8000	13000	22000	N/A	N/A



Revision	C.O. #	Implementation Date	RELEASE LEVEL	REVISION
A	MI0101533	7-24-07	Released	A

KNOWLES ELECTRONICS
ITASCA, ILLINOIS U.S.A.

WHEN TEST LIMITS ARE USED TO ESTABLISH INCOMING INSPECTION ACCEPTANCE/REJECTION CRITERIA, CORRELATION OF TEST EQUIPMENT WITH KNOWLES IS ALSO REQUIRED FOR ELIMINATION OF EQUIPMENT AND TEST METHOD VARIATION

TITLE: **MICROPHONE**
PERFORMANCE SPECIFICATION

BL-21671-140
SHT 2.1

DR. BY	DATE
SDZ	7-24-07
CK. BY	DATE
GJP	7-26-07
APP. BY	DATE
GJP	7-26-07